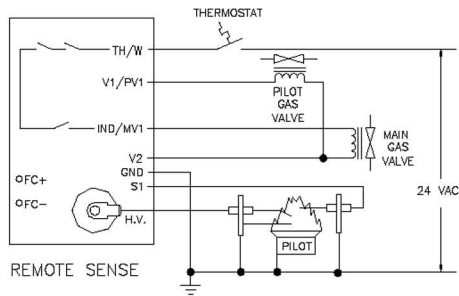


4

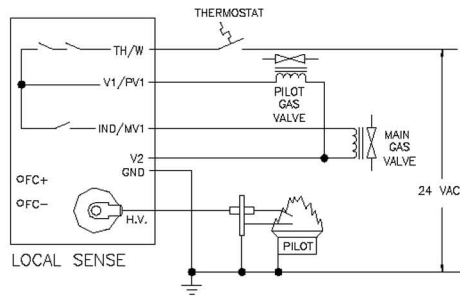
3

2

1

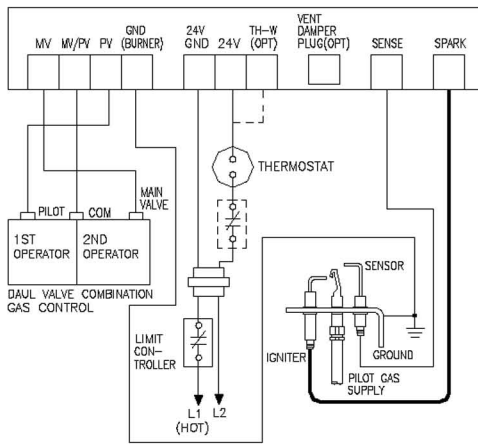


REMOTE SENSE

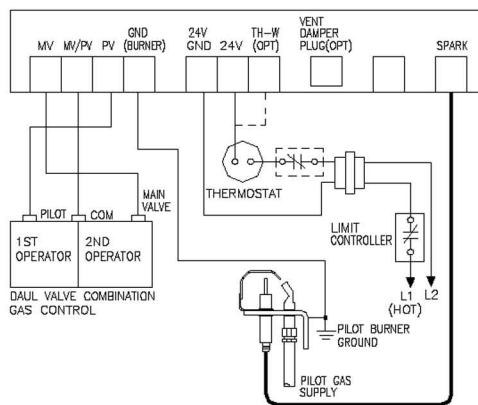


LOCAL SENSE

SERIES 35-63 INTERMITTENT PILOT (IP)



REMOTE SENSE



LOCAL SENSE

SERIES S86 INTERMITTENT PILOT (IP)

REVISIONS			
REV	DESCRIPTION	DATE	APP'D
XA	P.E. CONTROL	11-9-06	P.F.

### CONTROL CONFIGURATION 35-630XXX-XXX

- TRIAL FOR IGNITION TIME (TFI)
  - 1 = 15 SECONDS
  - 3 = 30 SECONDS
  - 5 = 60 SECONDS
  - 7 = 90 SECONDS
- INTER-PURGE TIME
  - 0 = NONE (SINGLE TRY MODELS ONLY)
  - 1 = 15 SECONDS
  - 2 = 30 SECONDS
  - 3 = 45 SECONDS
  - 4 = 4 MINUTES
- PRE-PURGE TIME
  - 0 = NONE
  - 1 = 15 SECONDS
  - 2 = 30 SECONDS
  - 3 = 45 SECONDS
  - 4 = 4 MINUTES
- TRIES FOR IGNITION & METHOD OF FLAME SENSING
  - 0 = SINGLE TRY - LOCAL SENSE THERMOSTAT / POWER OFF RESET
  - 1 = SINGLE TRY - REMOTE SENSE THERMOSTAT / POWER OFF RESET
  - 2 = SINGLE TRY - LOCAL SENSE AUTOMATIC RESET
  - 3 = SINGLE TRY - REMOTE SENSE AUTOMATIC RESET
  - 5 = THREE TRIES - LOCAL SENSE THERMOSTAT / POWER OFF RESET
  - 6 = THREE TRIES - REMOTE SENSE THERMOSTAT / POWER OFF RESET
  - 7 = THREE TRIES - LOCAL SENSE AUTOMATIC RESET
  - 8 = THREE TRIES - REMOTE SENSE AUTOMATIC RESET
- ENCLOSURE CONFIGURATIONS AND WIRING OPTIONS
  - 0 = NORYL GRAY ENCLOSURE
  - 1 = INTEGRAL STANDOFFS
  - 2 = BOARD ONLY (.209 DIA. MOUNTING HOLES)
- OPTIONS
  - 1 = RECYCLE AFTER LOSS OF FLAME
  - 5 = RE-IGNITION AFTER LOSS OF FLAME
  - 9 = SPECIAL OEM CONFIGURATION

TERMINAL	FENVAL SERIES 35-63 IP	HONEYWELL SERIES S86 IP
THERMOSTAT	TH/W	TH/W (OPTIONAL)
PILOT VALVE	V1/PV1	PV
MAIN VALVE	IND/MV1	MV
MV PV COMMON	V2	PV MV
BURNER GROUND	GND	GND (BURNER)
FLAME SENSE	S1	SENSE
SPARK	H.V.	SPARK (IGNITER)
24VAC	TH/W	24V
24 VAC GROUND	GND	SECONDARY OF 24VAC TRANSFORMER

## NOTES:

- INSTALLATIONS MUST COMPLY WITH ANSI/NFPA 70 (NEC) WIRING CODE AND APPLIANCE MANUFACTURERS' GUIDELINES.
- LINE VOLTAGE FOR FENVAL CONTROL: 18 VAC TO 30 VAC FROM A CLASS II TRANSFORMER.
- FENVAL CONTROL RELAY CONTACT RATING, PILOT: 24 VAC (NOM) 2A, MAIN: 24 VAC (NOM) 2A.
- MAX CABLE LENGTH: 5 FT. (0.9M).

<small>This information is the property of KIDDE-FENVAL, Inc. It is submitted in confidence and is not to be disclosed or utilized without written permission.</small> <small>UNLESS OTHERWISE SPECIFIED DIMENSIONS ARE IN INCHES AND (MILLIMETERS)</small>	DR. ANDY W. 11-9-06	 <small>Kidde-Fenval, Inc. 400 Main Street Ashland, MA 01721</small>								
	CHK. ANDY W. 11-9-06									
TOLERANCES ON	MATERIAL									
DECIMALS	MILLIMETERS									
XX ±	X ±									
XXX ±	XX ±									
ANGLES ±	FINISH									
THIRD ANGLE PROJECTION	FMF.	<table border="1"> <thead> <tr> <th>CODE IDENT NO.</th> <th>SIZE</th> <th>DWG. NO.</th> <th>REV</th> </tr> </thead> <tbody> <tr> <td>OKDP7</td> <td>C</td> <td>SK-7920</td> <td>XA</td> </tr> </tbody> </table>	CODE IDENT NO.	SIZE	DWG. NO.	REV	OKDP7	C	SK-7920	XA
CODE IDENT NO.	SIZE	DWG. NO.	REV							
OKDP7	C	SK-7920	XA							
DIMENSIONS IN BRACKETS ARE MILLIMETER EQUIVALENTS.		DO NOT SCALE DRAWING								