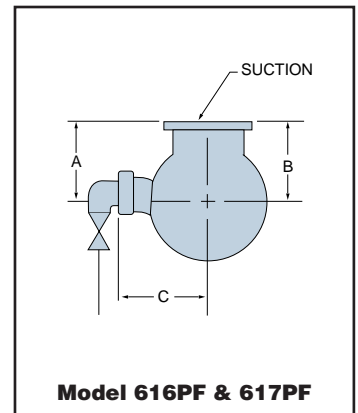
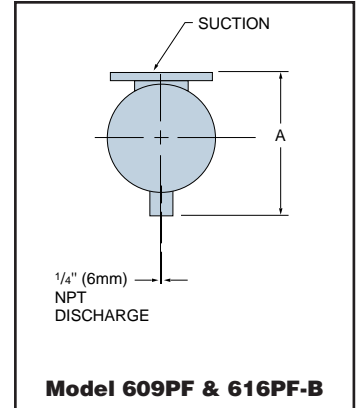
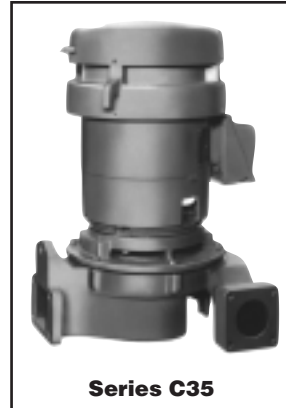


Pumps (Stock)

**Centriflo® Series C35®
Centrifugal Pumps**

Hoffman Centriflo® Series C35® Centrifugal Pumps are designed for use on condensate and boiler feed units. They can also be used with our Adapter Flange Kit to replace pumps on other manufacturer's condensate units.

- Vertical mounting design conserves floor space and protects motor
- Low NPSH required—only 2' (610mm) NPSH for Model 616PF-B
- Precision balanced bronze impeller for vibration free operation
- Bronze case wear rings protects casing from wear
- Water slinger protects motor from water
- Heavy duty ball bearing 3500 RPM motor
- Maximum discharge pressure 40 psi (276 kPa)*
- Maximum capacity 30 GPM (6840 LPS)*
- Pump seal maximum temperature 250°F (121°C)
- Pump maximum temperature:
210°F (99°C) – Model 616PF-B
200°F (93°C) – All other Models



Dimensions, in. (mm)

Pump Model	A	B	C	Discharge NPT (mm)
609PF	9 ¹ / ₁₆ (230)	— (-)	— (-)	³ / ₄ (20)
616PF	4 ³ / ₄ (121)	5 ¹ / ₄ (133)	6 (152)	1 ¹ / ₂ (40)
617PF†	4 ³ / ₄ (121)	9 ¹ / ₁₆ (230)	6 (152)	1 ¹ / ₂ (40)
616PF-B	9 ¹ / ₁₆ (230)	— (-)	— (-)	1 ¹ / ₂ (40)

† Includes orifice mounted on pump discharge.

Ordering Information

Model Number	Part Number	Pressure Psig (kPa)	Capacity GPM (LPS)	Motor	Impeller Diameter In. (mm)
609PF	180001	20 (138)	18 (1.1)	1/3 HP 1 Phase, 60Hz 115/230 Volt	3 ¹¹ / ₁₆ (93)
609PF	180025	20 (138)	18 (1.1)	1/3 HP 3 Phase, 60Hz 208-230/460 Volt	3 ¹¹ / ₁₆ (93)
616PF	180029	20 (138)	30 (1.9)	1/2 HP 1 Phase, 60Hz 115/230 Volt	3 ³ / ₁₆ (81)
616PF	161037	30 (207)	20 (1.3)	3/4 HP 115/230 Volt 60/1/3500 ODP	4 ⁵ / ₁₆ (110)
616PF	180026	30 (207)	17 (1.1)	3/4 HP 3 Phase, 60Hz 208-230/460 Volt	4 ³ / ₈ (86)
616PF	180027	30 (207)	30 (1.9)	1 HP 1 Phase, 60Hz 115/230 Volt	4 ⁷ / ₁₆ (113)
617PF	180028	40 (276)	17 (1.1)	1 HP 3 Phase, 60Hz 208-230/460 Volt	4 ⁷ / ₈ (124)
616PF-B (2' NPSH Pump)	180030	30 (207)	30 (1.9)	1 HP 3 Phase, 60Hz 208-230/460 Volt	4 ¹ / ₄ (102)
626PF	161038	20 (138)	40 (2.5)	1 HP 115/230 Volt 60/1/3500 ODP	3 ¹ / ₂ (89)
626PF	161039	30 (207)	40 (2.5)	1 1/2 HP 115/230 Volt 60/1/3500 ODP	4 ³ / ₁₆ (106)

*For larger condensate pumps, contact your Hoffman representative.